



# DGM2103SV



HD 1080P



H.265



EaZy  
Networking



Starlight



DWDR



PoE



Mobile  
Surveillance

## H.265 2MP Starlight IR Bullet IP Camera

### FEATURES

- Free P2P Cloud EaZy Networking**

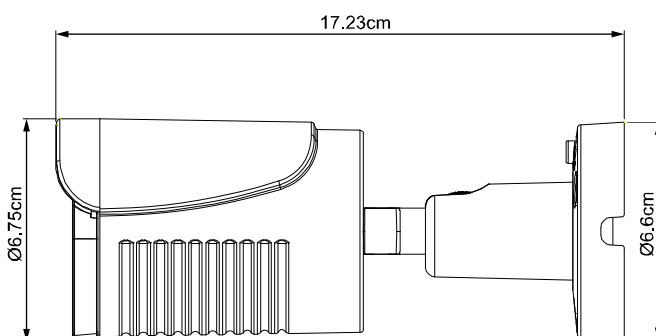
- Cloud **EaZy Networking** available to connect this device to Internet automatically in three steps with our free mobile app, EagleEyes.
- The **Buddy** feature to share the device access permission to other people.
- Device login / out notifications reported.



- **Starlight visibility** to offer clear & color images even at night

- **DWDR** to increase image recognizability in overexposure and dark areas
- **POE (Power-over-Ethernet)** support to eliminate the use of power cables and reduce installation costs
- **ONVIF (ONVIFS)** standard supported to simplify system integration
- **Vertical View Mode** supported to monitor long and narrow areas such as corridors and aisles.
- **Remote Surveillance**
  - **Fully compatible** with **iOS** and **Android** devices, and **Internet Explorer** on Windows operating system
  - Free PC program, **CMS Lite**, for 32CH devices monitoring on Windows operating system

### DIMENSIONS



Dimensional tolerance: ± 5mm



## ○ SPECIFICATIONS

### ■ Network

LAN Port	YES
LAN Speed	10/100 Based-T Ethernet
Supported Protocols	DDNS, PPPoE, DHCP, NTP, SNTP, TCP/IP, ICMP, SMTP, FTP, HTTP, RTP, RTSP, RTCP, IPv4/IPv6, Bonjour, UPnP, DNS, UDP, IGMP, QoS, SNMP
ONVIF Compatible	YES (Profile S)
Number of Online Users	10
Security	(1) Multiple user access levels with password (2) IP address filtering (3) Digest authentication
Remote Access	(1) Internet Explorer on Windows operating system (2) CMS Lite, 32CH CMS software for Windows operating system (3) EagleEyes on iOS & Android mobile devices

### ■ Video

Network Compression	H.265 / H.264 / MJPEG
Video Resolution	1920 x 1080 / 1280 x 720 / 720 x 480 / 352 x 240
Frame Rate	30fps
Multiple Video Streaming	4 (H.265 / H.264 / MJPEG)

### ■ General

Image Sensor	1/2.8" CMOS image sensor	
Min Illumination	0.001 Lux / F1.6, 0 Lux (IR LED ON)	
Shutter Speed	1/2 to 1/10,000 sec	
S/N Ratio	More than 48dB (AGC off)	
Lens	f3.6mm / F1.6	f2.8mm / F1.6
Viewing Angle	84° (Horizontal) / 45° (Vertical) / 99° (Diagonal)	101° (Horizontal) / 54° (Vertical) / 120° (Diagonal)
IR LED	2 Units	
IR Effective Distance**	Up to 25 meters	
IR Shift	YES	
Smart Light Control	YES	
White Balance	ATW	
AGC	Auto	
IRIS Mode	AES	
Sharpness	YES	
DWDR	YES	
POE	YES (IEEE 802.3af)	
Privacy Mask	YES	
Vertical View Mode	YES	
Weather-proof	IP66	
Operating Temperature	-25℃ ~ 50℃	
Operating Humidity	90 or less relative humidity	
Power Source (±10%)	12V / 1A	
Current Consumption (±10%)	140mA (IR LED OFF) / 220mA (IR LED ON)	
Power Consumption (±10%)	PoE & PoN: 3.7W; DC adapter: 3W	
Net Weight (kg)	0.36	



## ● SPECIFICATIONS (CONTINUED)

■ Others	
EaZy Networking	YES
Mobile Surveillance	iOS & Android mobile devices
Motion Detection	YES
Event Notification	FTP / Email / SMS
RTC (real-time clock)	YES
Digital Pan / Tilt / Zoom	YES
Minimum Web Browsing Requirements	<ul style="list-style-type: none"> <li>• Intel core i3 or higher, or equivalent AMD</li> <li>• 2GB RAM</li> <li>• AGP graphics card, Direct Draw, 32MB RAM</li> <li>• Windows 10, Windows 8, Windows 7, Windows Vista &amp; Windows XP, DirectX 9.0 or later</li> <li>• Internet Explorer 7.x or later (Windows Edge not supported)</li> </ul>
Optional Junction Box	AVA456-WBKT / AVA456-WHKT
Certification	CE

\*The specifications are subject to change without notice.