

# AVT2592L

## HD CCTV 1080P

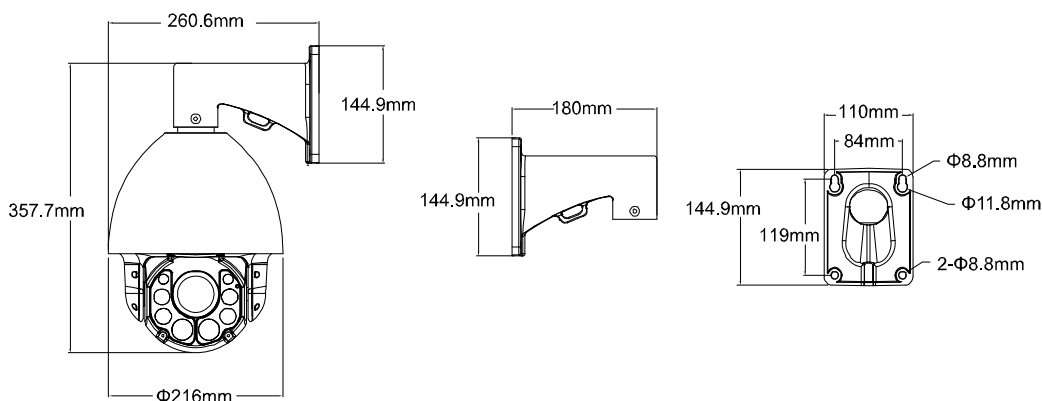
### 20X IR Speed Dome Camera



#### ● FEATURES

- (1) 1/2.9" CMOS Sensor with 1080P video output
- (2) Zoom lens of f4.7 ~ 94mm with 20x optical zoom and auto focus, suitable for various monitoring environments
- (3) PTZ control for seamless monitoring
  - Capable of 360° pan rotation continuously, allowing quick and smooth action of the camera lens
  - Auto Tracking to follow moving objects
  - Up to 256 preset points & four sequence groups programmable for multiple points monitoring, and auto pan
- (4) DWDR to increase image recognizability in overexposure and dark areas
- (5) External alarm I/O device connection
- (6) IP66 for outdoor application
- (7) Camera parameters adjustable when used with AVTECH HD CCTV DVR
- (8) New IR technology adapted to enhance brightness at night as well as the effective distance of 200 meters or even more

#### ● DIMENSIONS\*



\*Dimensional Tolerance: ± 5mm

#### ● SPECIFICATIONS\*

■ General		■ General	
Pick-up Element	1/2.9" CMOS image sensor	External alarm I/O	YES (1 input / 1 output)
Number of Pixels	1936(H) × 1096(V)	RS-485	YES
Video Frame Rate	1080P@30fps / 1080P@25fps	IP Rating	IP 66
Min. Illumination	0.1 Lux / F1.6 (Wide)~F3.5 (Tele), 0 Lux (IR LED ON)	Operating Temperature	-20°C ~ 50°C
S/N Ratio	More than 48dB (AGC OFF)	Operating Humidity	90% or less relative humidity
Shutter Speed	1 / 60 (1/50) to 1 / 100,000 sec.	Power Source (±10%)	AC 24V / DC19V
Lens	f4.7 ~ 94mm / F1.6 (Wide) ~ 3.5 (Tele)	Power Consumption (±10%)	25 W
Lens Angle	1X	■ PTZ Mechanism	
	20X	Pan Range	
IR LED	8 units	Max. Pan Speed	
IR Effective Distance	Default: Up to 200 meters IR Turbo mode: More than 200 meters	Tilt Range	
		Max. Tilt Speed	
IR Shift	YES	Zoom Ratio	
IRIS Mode	YES	Max. Zoom Speed	
White Balance	Auto / 2500K / 3200K / 4200K / 5800K / 9500K	Preset Points	
AGC	YES	Sequence Group	
Sharpness	YES	Auto Tracking	
DWDR	YES		

\* The specifications are subject to change without notice.